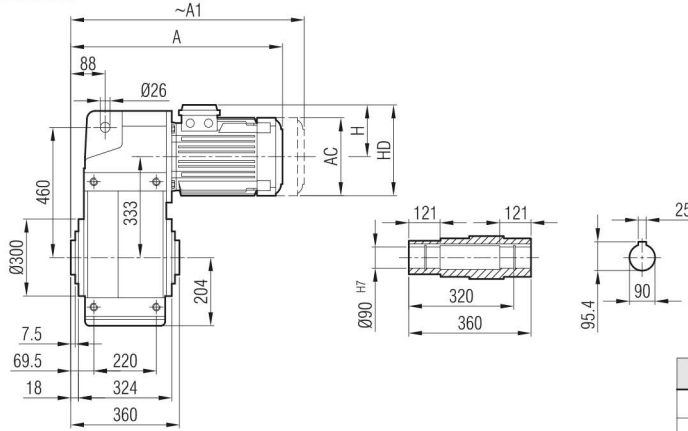


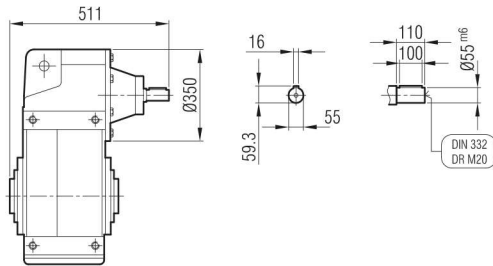


**YPM 122  
YPM 123**



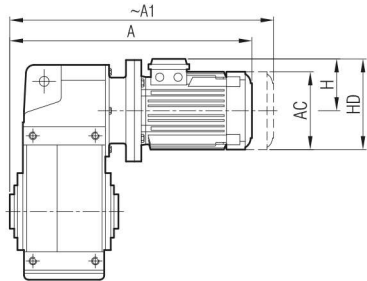
	100	112	132 S	132 M	160 M	160 L	180 M	180 L	200	225 S	225 M
A	621	635	694	732	803	847	876	914	968	1002	1027
A <sub>1</sub>	699	718	794	832	918	962	996	1034	1088	1122	1147
H	134	145	168	168	220	220	241	241	277	285	285
HD	234	257	300	300	380	380	421	421	477	510	510
AC	194	218	257	257	310	310	348	348	390	434	434

**YP 122  
YP 123**



**"A<sub>1</sub>" Ölçüsü Frenli Motorlar içindir.**  
Dimension "A<sub>1</sub>" is for motors with brake.  
Le dimensions "A<sub>1</sub>" correspondent aux moteurs équipés de freins.

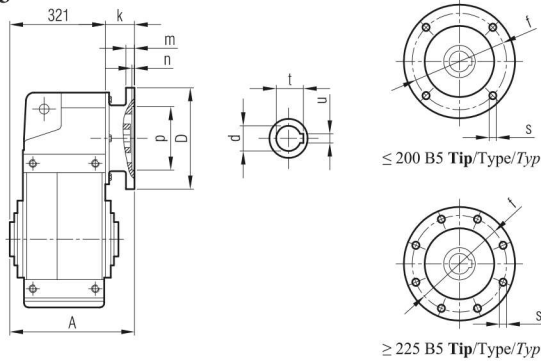
**YPPM 122  
YPPM 123**



	100/ B5	112/ B5	132 S/B5	132 M/B5	160 M/B5	160 L/B5	180 M/B5	180 L/B5	200/B5	225 S/B5	225 M/B5
A	695	715	786	824	903	947	960	998	1118	1143	1168
A <sub>1</sub>	773	798	886	924	1018	1062	1080	1118	1238	1263	1288
H	134	145	168	168	220	220	241	241	277	285	285
HD	234	257	300	300	380	380	421	421	477	510	510
AC	194	218	257	257	310	310	348	348	390	434	434

**"A<sub>1</sub>" Ölçüsü Frenli Motorlar içindir.**  
Dimension "A<sub>1</sub>" is for motors with brake.  
Le dimensions "A<sub>1</sub>" correspondent aux moteurs équipés de freins.

**YPP 122  
YPP 123**



	A	Øp	Øf	ØD	s	k	m	n	Ød	t	u
100/B5	379	180	215	250	M12	57	15	5	28	31.3	8
112/B5	379	180	215	250	M12	57	15	5	28	31.3	8
132/B5	406	230	265	300	M12	84	17	6	38	41.3	10
160/B5	413	250	300	350	M14	91	18	6.5	42	45.3	12
180/B5	413	250	300	350	M14	91	18	6.5	48	51.8	14
200/B5	481	300	350	400	M16	159	20	6.5	55	59.3	16
225/B5	488	350	400	450	M16	166	22	6.5	60	69.4	18