

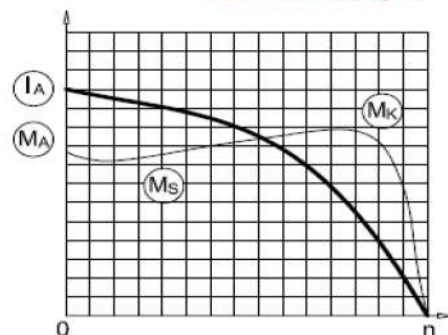
## MD 80 2a

# GAMAK

شركة الأندلس التجارية  
Al Andalos Trading Co

1-Phase 230 V 50 Hz

Duty Type : S1  
Degree of protection : IP 55 ( TEFC )  
Insulation class : F ( 155 °C )  
Temp rise : Class B ( 80K )  
Mounting Design : B3



## ELECTRICAL DESIGN

Rated output (kW) : 0.75

Speed (rpm) : 2770

Rated current (A) : 5

Torque – Mn (Nm) : 2.59

Permanent Capacitor 400V (μF) : 30

Cos φ : 0.96

Efficiency % : 68.0

Moment of inertia J (kgm)<sup>2</sup> : 0.00056

Locked rotor Current – Ia (A) : 16.5

Ia / In : 3.3

Locked rotor Torque – Ma (Nm) : 2.3

Ma / Mn : 0.88

Breakdown Torque – Mk (Nm) : 4.9

Mk / Mn : 1.9

## MECHANICAL DESIGN

Frame : Aluminium  
End shields : Aluminium  
Cooling fan : Plastic  
Terminal box : Plastic  
Cable gland : Pg 16  
No of cable glands : 1

## Bearing Arrangement

Standard design

Paint : RAL 7031- Grey

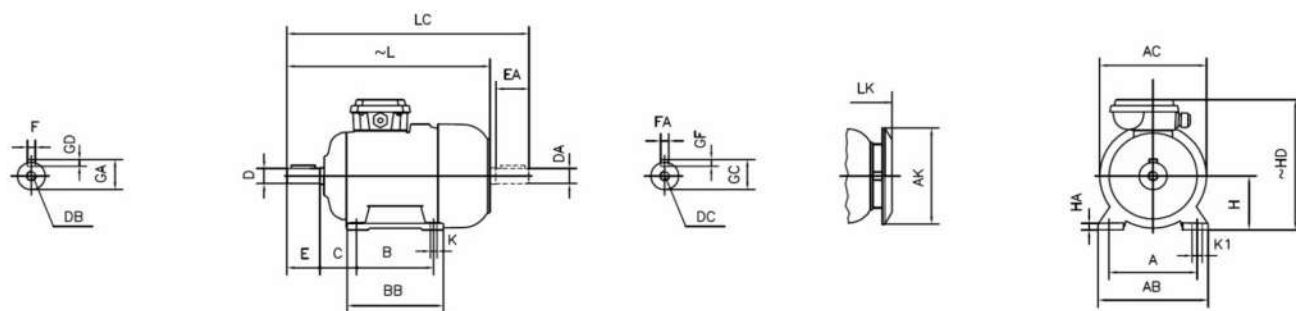
Approximate weight (kg) : 9

Drive End

Non Drive End

6204 ZZ

6204 ZZ



## DIMENSIONS

### FOOT MOUNTED MOTORS - B3, B6, B7, B8 B15, V5, V6

H	HD	HA	A	AB	AC Ø	AK Ø	K	K1	B	BB	L	LC	LK	C	E	EA	DB	DØ	GA	FXGD
	~										~		~				DC	DAØ	GC	FAXGF
80	212	10	125	160	156	150	10	15	100	125	278	323	308	50	40		M6	19	21.5	6X6

contact:

Mob:00201022621584/00201092425789

Email:info@andalos-trading.com

website:www.andalos-trading.com

Egypt-Giza-of October City

Lelat Alqader-Almaged Center