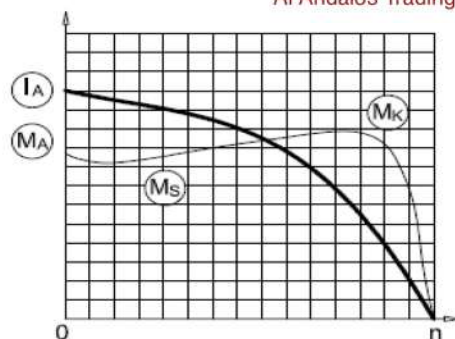


AGM 71 2a

3-Phase 230/400 V 50 Hz

Duty Type : S1
Degree of protection : IP 55 (TEFC)
Insulation class : F (155 °C)
Temp rise : Class B (80K)
Mounting Design : B3



ELECTRICAL DESIGN

Direct On Line

Rated output (kW) : 0.37
Speed (rpm) : 2800
Rated current (A) : 1.05
Torque – Mn (Nm) : 1.26
Cos φ : 0.74
Efficiency % : 68.9 (4/4), 68.7 (3/4), 66.7 (1/2)
Moment of inertia J (kgm)² : 0.00026

Locked rotor Current – Ia (A) : 5
Ia / In : 5.0
Locked rotor Torque – Ma (Nm) : 3
Ma / Mn : 2.4

Y / Δ Starting

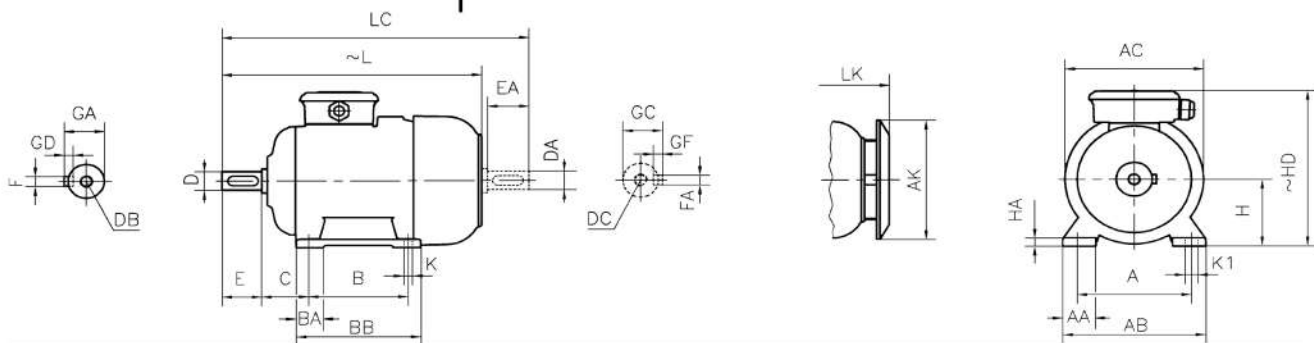
Locked rotor Current – Ia (A) : -
Ia / In : -
Locked rotor Torque – Ma (Nm) : -
Ma / Mn : -
Breakdown Torque – Mk (Nm) : 3
Mk / Mn : 2.6

MECHANICAL DESIGN

Frame : Aluminium
End shields : Aluminium
Cooling fan : Plastic
Terminal box : Plastic
Cable gland : Pg 16
No of cable glands : 1

Bearing Arrangement

	Drive End	Non Drive End
Standard design	6202 ZZ	6202 ZZ
Reinforced design	-	-
Noise Level (dB-A)	: 50	
Paint	: RAL 7031- Grey	
Approximate weight (kg)	: 4.9	



DIMENSIONS

Dimensions of foot mounted motors for mounting arrangement : B3, B6, B7, B8, B15, V5, V6

H	HD	HA	A	AA	AB	ØAC	ØAK	K	K1	B	B'	BA	BA'	BB	L	LC	LK	C	E	DB	ØD	GA	FxGD
	~														~		~		EA	DC	ØDA	GC	FAXGF
71	182	10	112	33	140	138	116	7	11	90	-	27	-	108	249	284	278	45	30	M5	14	16	5X5

* Efficiencies are calculated according to indirect method where the additional load losses are determined from exact measurements at different load points.

contact:

Mob:00201022621584/00201092425789

Email:info@andalos-trading.com

website:www.andalos-trading.com

Egypt-Giza-of October City

Lelat Alqader-Almaged Center