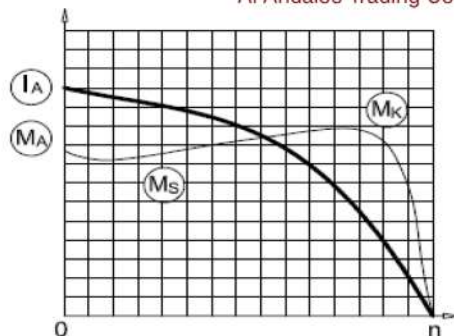


# GM 280 S 6



3-Phase 400 V (Δ) 50 Hz

- Duty Type : S1
- Degree of protection : IP 55 ( TEFC )
- Insulation class : F ( 155 °C )
- Temp rise : Class B ( 80K )
- Mounting Design : B3



## ELECTRICAL DESIGN

### Direct On Line

- Rated output (kW) : 45
- Speed (rpm) : 985
- Rated current (A) : 92
- Torque – Mn (Nm) : 436
- Cos φ : 0.76
- Efficiency % : 92.7 (4/4), 92.7 (3/4), 90.9 (1/2)
- Moment of inertia J (kgm)<sup>2</sup> : 1.2

- Locked rotor Current – Ia (A) : 644
- Ia / In : 7.0
- Locked rotor Torque – Ma (Nm) : 1439
- Ma / Mn : 3.3

### Y / Δ Starting

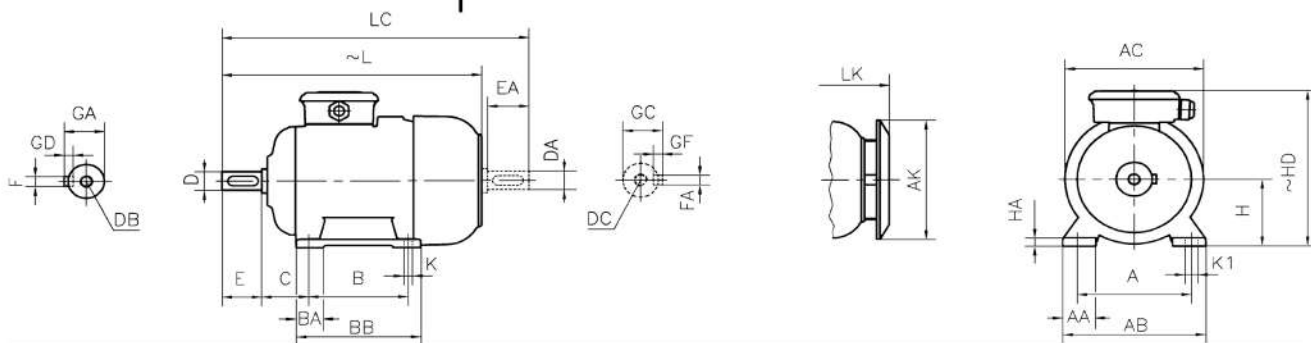
- Locked rotor Current – Ia (A) : 212
- Ia / In : 2.3
- Locked rotor Torque – Ma (Nm) : 480
- Ma / Mn : 1.1
- Breakdown Torque – Mk (Nm) : 1134
- Mk / Mn : 2.6

## MECHANICAL DESIGN

- Frame : Cast Iron
- End shields : Cast Iron
- Cooling fan : Plastic
- Terminal box : Aluminium
- Cable gland : Pg 42
- No of cable glands : 2

### Bearing Arrangement

	Drive End	Non Drive End
Standard design	6316 ZZ C3	6316 ZZ C3
Reinforced design	NU 316 E	6316 C3
Noise Level (dB-A)	: 65	
Paint	: RAL 7031- Grey	
Approximate weight (kg)	: 500	



### DIMENSIONS

Dimensions of foot mounted motors for mounting arrangement : B3, B6, B7, B8, B15, V5, V6

H	HD	HA	A	AA	AB	ØAC	ØAK	K	K1	B	B'	BA	BA'	BB	L	LC	LK	C	E	DB	ØD	GA	FxGD
	~														~		~		EA	DC	ØDA	GC	FAXGF
280	630	40	457	120	550	544	440	24	-	368	-	85	128	474	958	1106	1014	190	140	M20	75	79.5	20X12

\* Efficiencies are calculated according to indirect method where the additional load losses are determined from exact measurements at different load points.

contact:

Mob:00201022621584/00201092425789

Email:info@andalos-trading.com

website:www.andalos-trading.com

Egypt-Giza-of October City

Lelat Alqader-Almaged Center