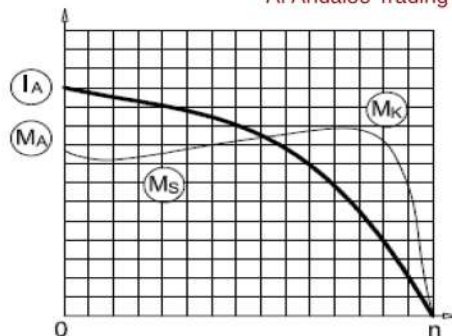


# GMM 315 L 2b



3-Phase 400 V (Δ) 50 Hz

- Duty Type : S1
- Degree of protection : IP 55 ( TEFC )
- Insulation class : F ( 155 °C )
- Temp rise : Class B ( 80K )
- Mounting Design : B3



## ELECTRICAL DESIGN

### Direct On Line

- Rated output (kW) : 200
- Speed (rpm) : 2980
- Rated current (A) : 328
- Torque – Mn (Nm) : 641
- Cos φ : 0.93
- Efficiency % : 95.0 (4/4), 95 (3/4), 93.6 (1/2)
- Moment of inertia J (kgm)<sup>2</sup> : 1.5

- Locked rotor Current – Ia (A) : 2624  
Ia / In : 8.0
- Locked rotor Torque – Ma (Nm) : 1603  
Ma / Mn : 2.5
- Locked rotor Current – Ia (A) : 853  
Ia / In : 2.6
- Locked rotor Torque – Ma (Nm) : 513  
Ma / Mn : 0.8
- Breakdown Torque – Mk (Nm) : 1923  
Mk / Mn : 3.0

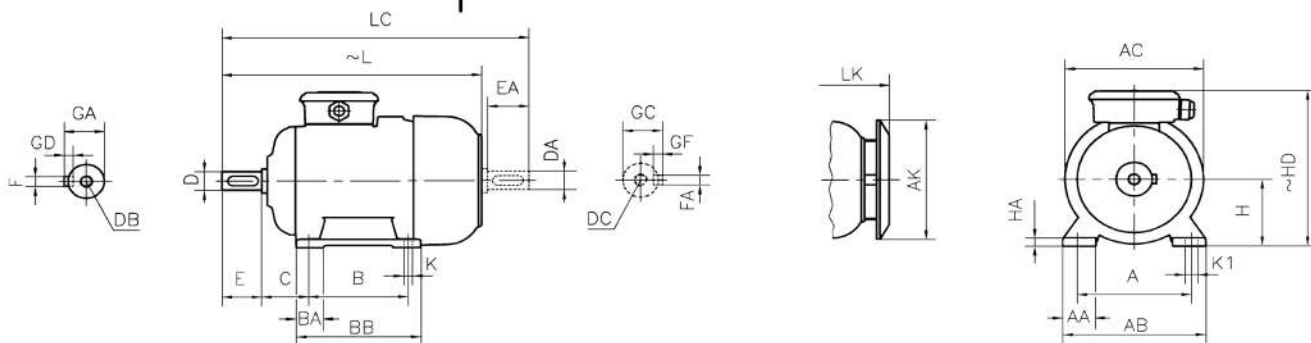
### Y / Δ Starting

## MECHANICAL DESIGN

- Frame : Cast Iron
- End shields : Cast Iron
- Cooling fan : Plastic
- Terminal box : Aluminium
- Cable gland : Pg 48
- No of cable glands : 2

### Bearing Arrangement

	Drive End	Non Drive End
Standard design	6316 C3	6316 C3
Reinforced design	NU 316 E	6316 C3
Noise Level (dB-A)	: 79	
Paint	: RAL 7031- Grey	
Approximate weight (kg)	: 912	



### DIMENSIONS

Dimensions of foot mounted motors for mounting arrangement : B3, B6, B7, B8, B15, V5, V6

H	HD	HA	A	AA	AB	ØAC	ØAK	K	K1	B	B'	BA	BA'	BB	L	LC	LK	C	E	EA	DB	DC	ØD	ØDA	GA	GC	FxGD	FAXGF
315	825	50	508	125	620	614	571	28	-	508	-	115	-	600	1190	1340	1267	216	140	M20	65	69	18X11					

\* Efficiencies are calculated according to indirect method where the additional load losses are determined from exact measurements at different load points.

contact:

Mob:00201022621584/00201092425789

Email:info@andalos-trading.com

website:www.andalos-trading.com

Egypt-Giza-of October City

Lelat Alqader-Almaged Center