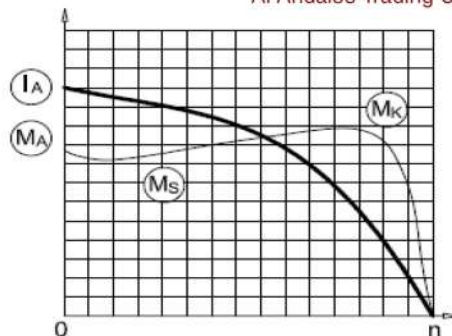


GMM 315 L 4a



3-Phase 400 V (Δ) 50 Hz

- Duty Type : S1
- Degree of protection : IP 55 (TEFC)
- Insulation class : F (155 °C)
- Temp rise : Class B (80K)
- Mounting Design : B3



ELECTRICAL DESIGN

Direct On Line

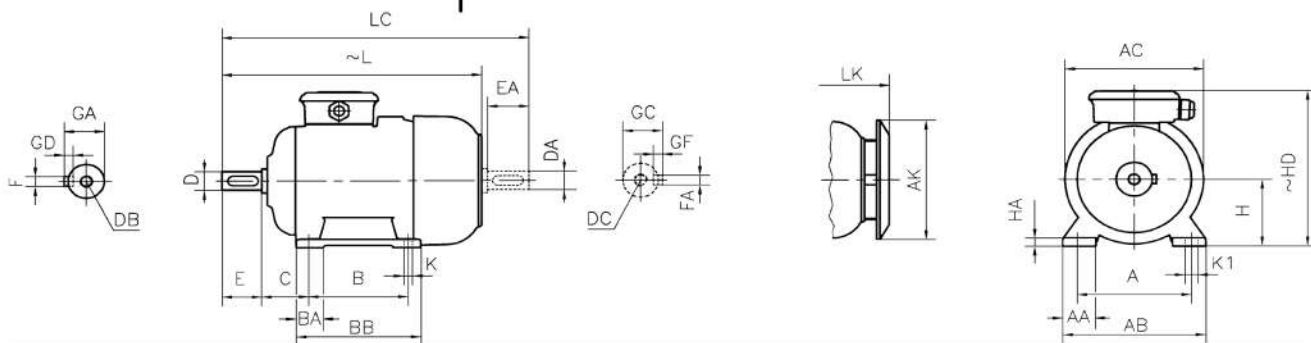
Rated output (kW) : 185	Locked rotor Current – Ia (A) : 2261
	Ia / In : 7.0
Speed (rpm) : 1485	Locked rotor Torque – Ma (Nm) : 2737
	Ma / Mn : 2.3
Rated current (A) : 323	
Y / Δ Starting	
Torque – Mn (Nm) : 1190	Locked rotor Current – Ia (A) : 743
	Ia / In : 2.3
Cos φ : 0.87	Locked rotor Torque – Ma (Nm) : 833
	Ma / Mn : 0.7
Efficiency % : 95.2 95.1 94.2	Breakdown Torque – Mk (Nm) : 3094
	Mk / Mn : 2.6
Moment of inertia J (kgm) ² : 2.9	

MECHANICAL DESIGN

- Frame : Cast Iron
- End shields : Cast Iron
- Cooling fan : Plastic
- Terminal box : Aluminium
- Cable gland : Pg 48
- No of cable glands : 2

Bearing Arrangement

	Drive End	Non Drive End
Standard design	6318 C3	6318 C3
Reinforced design	NU 318 E	6318 C3
Noise Level (dB-A)	: 74	
Paint	: RAL 7031- Grey	
Approximate weight (kg)	: 962	



DIMENSIONS

Dimensions of foot mounted motors for mounting arrangement : B3, B6, B7, B8, B15, V5, V6

H	HD	HA	A	AA	AB	ØAC	ØAK	K	K1	B	B'	BA	BA'	BB	L	LC	LK	C	E	EA	DB	DC	ØD	ØDA	GA	GC	FxGD	FAXGF
315	825	50	508	125	620	614	51	28	-	508	-	125	-	600	1220	1400	1297	216	170	M20	85	90	22X14					

* Efficiencies are calculated according to indirect method where the additional load losses are determined from exact measurements at different load points.

contact:

Mob:00201022621584/00201092425789

Email:info@andalos-trading.com

website:www.andalos-trading.com

Egypt-Giza-of October City

Lelat Alqader-Almaged Center