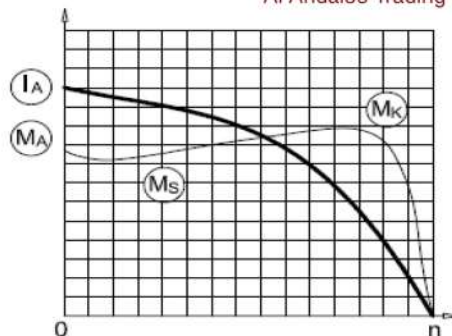


GM 200 L 4



3-Phase 400 V (Δ) 50 Hz

- Duty Type : S1
- Degree of protection : IP 55 (TEFC)
- Insulation class : F (155 °C)
- Temp rise : Class B (80K)
- Mounting Design : B3



ELECTRICAL DESIGN

Direct On Line

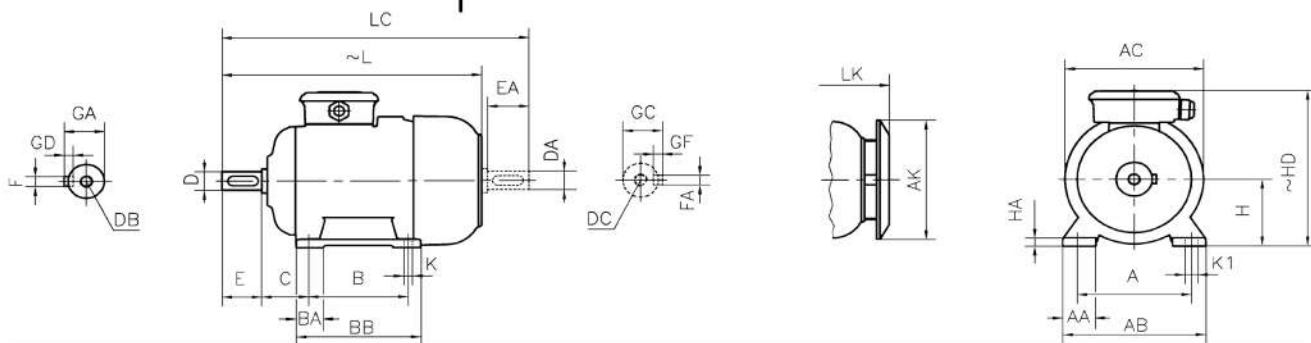
| | |
|---|-------------------------------------|
| Rated output (kW) : 30 | Locked rotor Current – Ia (A) : 440 |
| | Ia / In : 8.0 |
| Speed (rpm) : 1470 | Locked rotor Torque – Ma (Nm) : 605 |
| | Ma / Mn : 3.1 |
| Rated current (A) : 55 | |
| Y / Δ Starting | |
| Torque – Mn (Nm) : 195 | Locked rotor Current – Ia (A) : 143 |
| | Ia / In : 2.6 |
| Cos φ : 0.85 | Locked rotor Torque – Ma (Nm) : 195 |
| | Ma / Mn : 1.0 |
| Efficiency % : 92.5 92.6 92.1 | Breakdown Torque – Mk (Nm) : 702 |
| | Mk / Mn : 3.6 |
| Moment of inertia J (kgm) ² : 0.22 | |

MECHANICAL DESIGN

- Frame : Cast Iron
- End shields : Cast Iron
- Cooling fan : Plastic
- Terminal box : Aluminium
- Cable gland : Pg 36
- No of cable glands : 2

Bearing Arrangement

| | Drive End | Non Drive End |
|-------------------------|------------------|---------------|
| Standard design | 6312 ZZ C3 | 6212 ZZ C3 |
| Reinforced design | NU 312 E | 6312 C3 |
| Noise Level (dB-A) | : 64 | |
| Paint | : RAL 7031- Grey | |
| Approximate weight (kg) | : 225 | |



DIMENSIONS

Dimensions of foot mounted motors for mounting arrangement : B3, B6, B7, B8, B15, V5, V6

| H | HD | HA | A | AA | AB | ØAC | ØAK | K | K1 | B | B' | BA | BA' | BB | L | LC | LK | C | E | EA | DB | DC | ØD | ØDA | GA | GC | FxGD | FAXGF |
|-----|-----|----|-----|----|-----|-----|-----|----|----|-----|----|----|-----|-----|-----|-----|-----|-----|-----|-----|----|----|-------|-----|----|----|------|-------|
| 200 | 477 | 26 | 318 | 80 | 398 | 390 | 370 | 19 | - | 305 | - | 68 | - | 355 | 747 | 865 | 803 | 133 | 110 | M20 | 55 | 59 | 16X10 | | | | | |

* Efficiencies are calculated according to indirect method where the additional load losses are determined from exact measurements at different load points.

contact:

Mob:00201022621584/00201092425789

Email:info@andalos-trading.com

website:www.andalos-trading.com

Egypt-Giza-of October City

Lelat Alqader-Almaged Center