



BRV

DOUBLE INLET RADIAL FANS / Forward Curved

Fan Components and Material Properties

Fan Body and fan are made of high quality galvanized steel which is resistant to corrosion. BRV double suction centrifugal fans are manufactured as standard in different sizes between 700 m³ / h and 25.000 m³ / h. The motor and fan impeller are produced on the shaft by means of double bearing and main body with steel carriers. Matress protectors are made of rubber.

Fan Structure

Double suction, forward-curved low pressure radial type fan. The fan wheel is made of high quality galvanized steel which is resistant to corrosion and is manufactured in aerodynamic structure to ensure regular flow. Thanks to its aerodynamic wing structure, it works quietly.

Benefits

It produces high flow rate with its frequent wing structure. Speed adjustable with belt pulley system. The BRV-K models are reinforced.

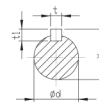
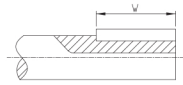
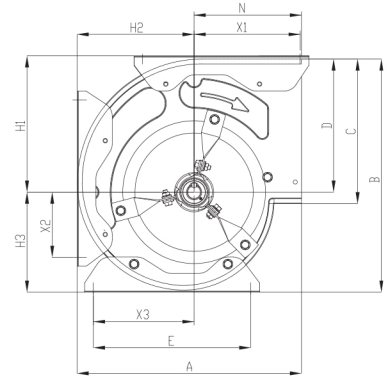
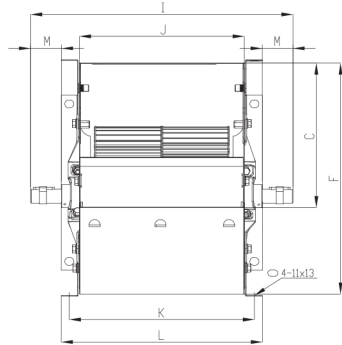
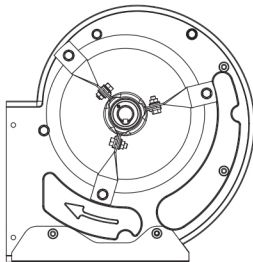
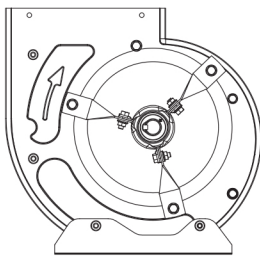
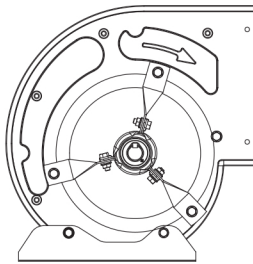
Speed Control

Belt pulley system is made by changing the conversion rate.

Usage Areas

Box Fans and air handling units etc. they are preferred.

Technical Drawing and Tables



TYPE	AIR FLOW		WEIGHT
	m ³ /h		
BRV 7/7	3500		6.1
BRV 9/9	5000		8.2
BRV 10/10	6500		9.4
BRV 12/12	10000		15.5
BRV 15/15	16000		20.7
BRV 18/18	22000		40.5
BRV-K 15/15	18000		20.7
BRV-K 18/18	25000		40.5

Sound Level Measured from 3m distance in room condition.

TYPE	A	B	C	D	E	F	I	J	K	L	M	N	X	t	t1	W	d	H1	H2	H3	X1	X2	X3
BRV 7/7	321	333	207	190	225	330	375	236	264.5	287.5	44	154	22.5	6	6	30	20	195	167	142	152	93	144
BRV 9/9	390	400	261	218	300	390	435	296	325.5	350.5	44	217	22.5	6	6	30	20	225	208	182	202	114	184
BRV 10/10	435	455	290	250	339	445	500	333	361	386	57	197	28	8	7	50	25	258	238	205	161	146	200
BRV 12/12	498.5	535	336	292	409	520	580	398	428	453	65	229	28	8	7	50	25	304	270	243	223	139	257
BRV 15/15	597	620	402	341	497	610	650	476	505	531	60	264	28	8	7	60	25	349	324	279	260	214	301
BRV 18/18	687	753	477	411	605.5	732	754	559	591	614	71	313	28	8	7	65	25	424.5	375	342	282	281	330

Dimensions are in (mm)

contact:

Mob:00201022621584/00201092425789

Email:info@andalos-trading.com

website:www.andalos-trading.com

Egypt-Giza-of October City
Lelat Alqader-Almaged Center