



SF COOLING FANS

Fan Components and Material Properties

The propeller is manufactured from electrostatic powder coated sheet metal, protective wire and wire mesh electrostatic powder coated steel wire. The propeller is coupled directly to the motor. Protective and carrier wireframe produced in standard connection dimensions.

* Square Plate and Flat Grill options are available. Please contact BVN representatives.

Benefits

With its blower and suction types, the SF cooling fans are designed for high performance, low noise level and long-term maintenance-free operation in a variety of applications. Speed can be adjusted

with speed control devices. Propellers are manufactured in the most ideal angle according to their size and maximum performance is ensured.

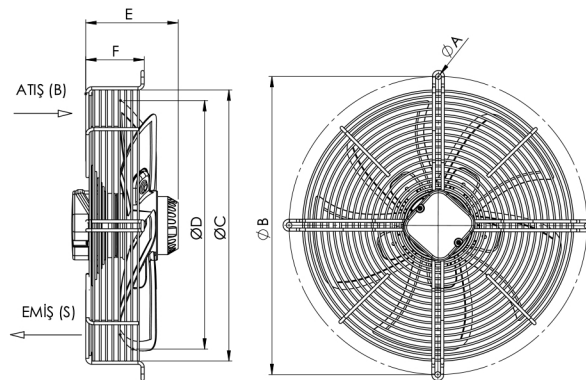
Speed Control

Optional control devices can be provided. 1~Phase products can be controlled with linear voltage regulator (see BSC accessory). * In line with the demand, three-phase models can be produced in accordance with the inverter.

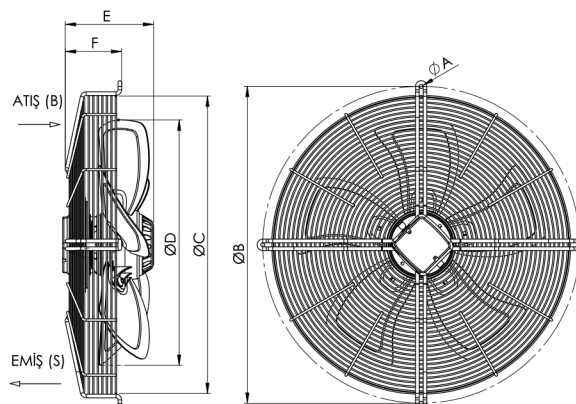
Usage Areas

Refrigeration machines, laboratories, residences, air-conditioning outdoor units, hot and cold air appliances and industrial chillers etc. used in places.

Technical Drawing and Tables



TYPE	A	B	C	D	E	F
SF 250	6,5	321	280	250	115	75
SF 300	6,5	360	329	300	115	61
SF 350	6,5	422	374	345	148	88
SF 400	9	470	422	396	146	93
SF 450	9	522	472	444	160	93



TYPE	A	B	C	D	E	F
SF 500	9	565	520	500	170	97
SF 560	9	700	654	552	198	124
SF 630	9	750	700	623	198	142

contact:

Mob:00201022621584/00201092425789

Email:info@andalos-trading.com

website:www.andalos-trading.com

Egypt-Giza-of October City

Lelat Alqader-Almaged Center