



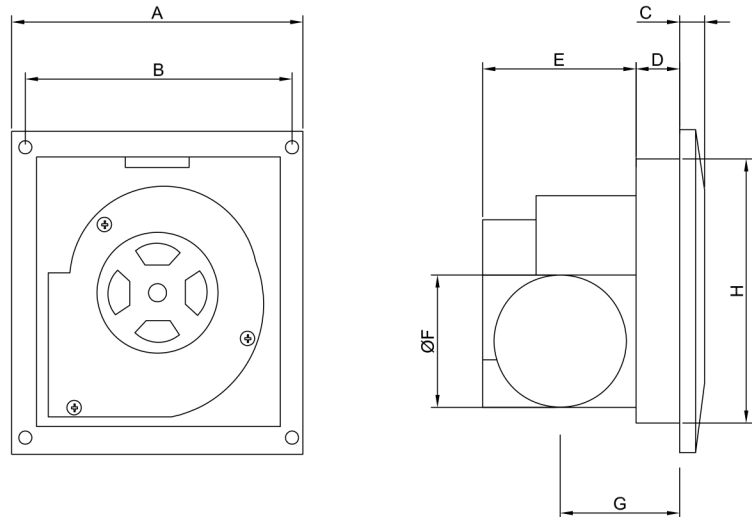
## BPR

### AXIAL BATHROOM FANS / Standart

BPR series fans have a very stylish look. Manufactured from materials resistant to external influences provided by the bathing environment. It is very easy to install and provides high flow rate and pressure at very low noise levels thanks to optimum motor, fan and body design.

Maintenance-free motor with long-term performance. Flexible channel can be connected with the pressure provided by the radial fan. Mounting on suspended ceilings. It is used for small volume spaces, bath and toilet ventilation.

#### Technical Drawing and Tables



TYPE	A	B	C	D	E	F	G	H
BPR 1012	240	220	20	38	128	100	101	200
BPR 1015	264	240	20	40	128	100	114	224

TYPE	VOLTAGE	FREQUENCY	POWER	CURRENT	CAPACITOR	SPEED	AIR FLOW	SOUND PRESSURE	INSULATION CLASS	PROTECTION CLASS	WEIGHT	PIECES IN BOX
	V	Hz	W	(A)	( $\mu$ F)	D/dak	m <sup>3</sup> /h	dB(A)	iz. Kl.	IP	kg	AD
BPR 1012	230	50/60	22	0,9	0,4	1050	120	28	B	20	1,9	6
BPR 1015	230	50/60	28	0,12	0,12	1550	150	32	B	20	2,1	6

Sound Level Measured from 3m distance in room condition.

#### Accessories



BSC

contact:

Mob:00201022621584/00201092425789

Email:info@andalos-trading.com

website:www.andalos-trading.com

Egypt-Giza-of October City

Lelat Alqader-Almaged Center