



ARMO-A

SMOKE AND HEAT EXHAUST FANS / Tube



Axial tube fans are used in pressurization fan, fresh air fan and smoke exhaust fan applications. The fan sleeve is fire resistant and designed according to the noise standard. Smoke evacuation fans are fire resistant. Smoke discharge fans can be installed vertically and horizontally according to the characteristics of the structure.

General Features

- EN 12101-3 and CE certificates.
- 2 hours continuous operation at 400 C and 300 C
- There is a wide product range from 400 mm to 1250 mm.

Rotor Features

- Fire resistant aluminum alloy casting blades and fan hub.
- It is capable of one-way and two-way operation. The blades are specially designed according to each direction type.
- There is no aerodynamic loss in the case of reversible wing type operation.
- Wings are airfoil and provide high aerodynamic performance in both unidirectional and bidirectional vanes.
- Wing angles are adjustable. In this way, smoke discharge fans can be demanded at different flow rates and pressures.
- The fan part of the fan is balanced

dynamically to ISO 1940 and there is no eccentricity during the operation of the fan.

Body Features

- Fan body is steel sheet. Body is hot dip galvanized and corrosion resistant.
- It has short type body and long type body types.

Motor Features

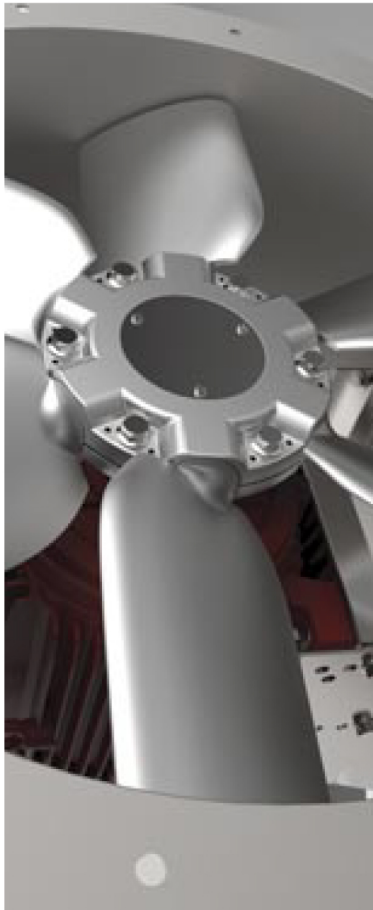
- Offers 2.4 and 6-pole motors
- The motors are IP 55 class and Class-H insulated.
- All electric motor models are approved for continuous operation (S1) and Emergency operation (S2).

Ease of Maintenance

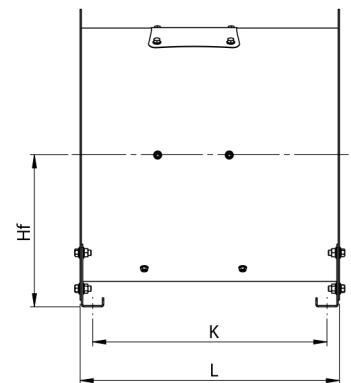
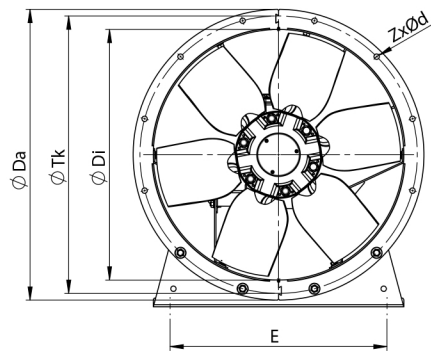
A maintenance cover is provided to ensure easy maintenance.

Usage Areas

They are the fans that provide the combustion of toxic gases that are supplied by the jet fans to the external environment. Axial fans are used in pressurization fan, fresh air fan and smoke exhaust fan applications.



Technical Drawing and Tables



TYPE	ØDi	ØDa	ØTk	ZXØd	L	Hf	K	E
ARMO-A 400	400	480	450	8XØ12	474	255	420	335
ARMO-A 450	450	530	500	8XØ12	474	280	420	385
ARMO-A 500	500	590	560	12XØ12	580	310	524	425
ARMO-A 560	560	650	620	12XØ12	580	340	524	485
ARMO-A 630	630	720	690	12XØ12	600	375	544	555
ARMO-A 710	710	800	770	16XØ12	600	420	544	595
ARMO-A 800	800	890	860	16XØ12	700	470	634	625
ARMO-A 900	900	1005	970	16XØ15	775	527	697	675
ARMO-A 1000	1000	1105	1070	16XØ15	850	577	772	775
ARMO-A 1250	1250	1390	1320	20XØ15	949	720	861	950

contact:

Mob:00201022621584/00201092425789

Email:info@andalos-trading.com

website:www.andalos-trading.com

Egypt-Giza-of October City

Lelat Alqader-Almaged Center