



BDTX

ROUND DUCT TYPE FANS / Backward Curved

Device Components and Material Properties

The case and fan are made of high quality galvanized sheet metal which is pressed against corrosion. All models have an external rotor motor with a closed structure and have air transport at max.40°C. On request, the motor can be produced as thermally protected against high temperature. The terminal box and mounting legs are supplied with the product as standard. Suction and discharge nozzles are compatible with duct diameters and can be connected by clamp.

Fan Structure

Designed to work between round ducts. The fan blades are aerodynamically curved and provide regular flow. The fans are composed of backward sloping and infrequently arranged fins.

Benefits

The rotation of the fan on the motor housing saves efficiency and space. It works at optimum sound levels while providing strong air suction. It can be operated in any position. If necessary, it can be mounted on the wall thanks to the mounting legs. Speed can be adjusted with speed control devices.

Speed Control

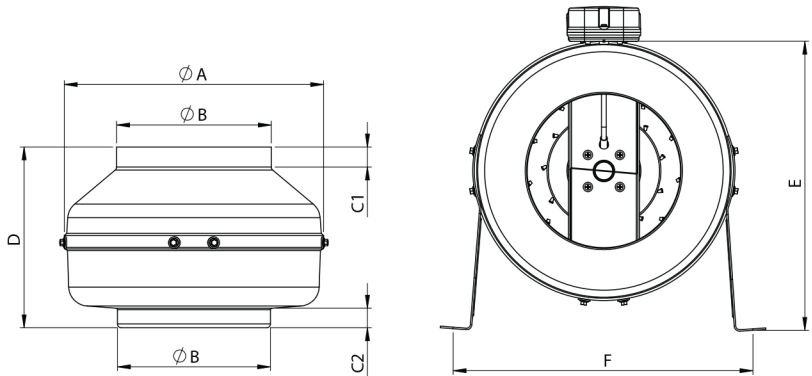
Optional control devices can be provided. * Linear voltage regulator speed control can be done. (see BSC accessory)

Usage Areas

Round duct fans are used in low and medium volume ventilation requirements in duct systems where the application area is limited. It should be used with oil holding filter in oily environments.

Technical Drawing and Tables

Accessories



| TYPE | A | B | C1 | C2 | D | E | F |
|----------|-----|-----|----|----|-----|-----|-----|
| BDTX 100 | 245 | 97 | 20 | 20 | 197 | 273 | 268 |
| BDTX 125 | 245 | 122 | 20 | 20 | 188 | 273 | 268 |
| BDTX 150 | 272 | 147 | 23 | 25 | 192 | 286 | 295 |
| BDTX 160 | 272 | 157 | 23 | 25 | 192 | 286 | 295 |
| BDTX 200 | 330 | 196 | 30 | 28 | 230 | 380 | 352 |
| BDTX 250 | 330 | 247 | 30 | 28 | 227 | 380 | 352 |
| BDTX 315 | 400 | 313 | 30 | 30 | 285 | 415 | 422 |
| BDTX 355 | 400 | 352 | 30 | 30 | 378 | 415 | 422 |

Dimensions are in (mm)

| TYPE | VOLTAGE | FREQUENCY | POWER | CURRENT | CAPACITOR | SPEED | AIR FLOW | SOUND PRESSURE | INSULATION CLASS | PROTECTION CLASS | WEIGHT |
|------------|---------|-----------|---------|-----------|-----------|-----------|-------------------|----------------|------------------|------------------|--------|
| | V | Hz | W | (A) | (µF) | r.p.m | m ³ /h | dB(A) | Ins.cl. | IP | kg |
| BDTX 100 | 230 | 50/60 | 60 | 0,3 | 2 | 2610/2960 | 240/275 | 44 | B | 44 | 2,6 |
| BDTX 125 | 230 | 50/60 | 80 | 0,4 | 2,5 | 2325 | 315 | 43 | B | 44 | 2,7 |
| BDTX 150 | 230 | 50/60 | 78 | 0,4 | 2,5 | 2450 | 420 | 46 | B | 44 | 3 |
| BDTX 160 | 230 | 50/60 | 85 | 0,4 | 2,5 | 2550 | 440 | 45 | B | 44 | 3,2 |
| BDTX 200-A | 230 | 50/60 | 90 | 0,43 | 2,5 | 2300 | 735 | 46 | B | 44 | 4,4 |
| BDTX 200-B | 230 | 50/60 | 100/130 | 0,51/0,68 | 4 | 2530/2720 | 870/935 | 48 | B | 44 | 4,8 |
| BDTX 250-A | 230 | 50/60 | 140 | 0,69 | 4 | 2400 | 1010 | 45 | B | 44 | 4,9 |
| BDTX 250-B | 230 | 50/60 | 145/200 | 0,74/1,04 | 6 | 2650 | 1150 | 47 | B | 44 | 5,3 |
| BDTX 315-A | 230 | 50/60 | 160/210 | 0,8/1,1 | 6 | 2400 | 1450 | 48 | B | 44 | 6,8 |
| BDTX 315-B | 230 | 50/60 | 180/245 | 0,87/1,23 | 7 | 2500/2700 | 1750/1890 | 49 | B | 44 | 6,9 |
| BDTX 355-A | 230 | 50/60 | 160/175 | 1/0,85 | 4 | 1450/1700 | 1300/1525 | 45 | F | 44 | 9 |
| BDTX 355-B | 230 | 50 | 445 | 1,94 | 8 | 2450 | 2620 | 54 | F | 44 | 10 |

Sound Level Measured from 3m distance in room condition.

contact:

Mob:00201022621584/00201092425789

Email:info@andalos-trading.com

website:www.andalos-trading.com

Egypt-Giza-of October City
Lelat Alqader-Almaged Center